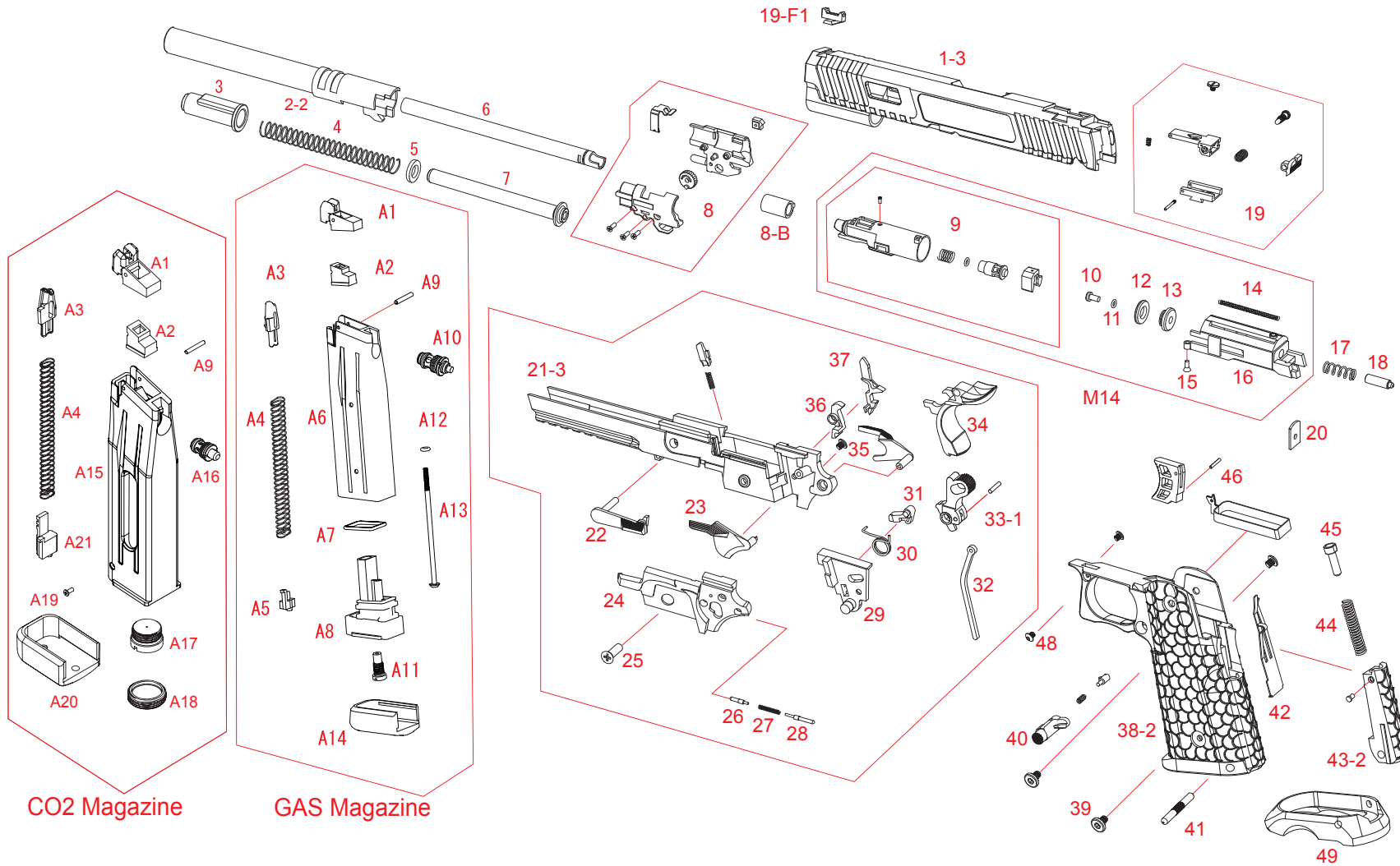


KL HI-CAPA SCHEMATIC (DUAL POWER SYSTEM)

www.krownland.com.tw
sales@krownland.com.tw



CO2 Magazine

GAS Magazine

No	DESCRIPTION
1	Slide(Athletics ver.)
1-1	Slide(5.1" ver.)
1-2	Slide(4.3" ver.)
1-3	Baba Yaga Slide
2	Outer Barrel(5.1" ver.)
2-1	Outer Barrel(4.3" ver.)
2-2	Baba Yaga Outer Barrel
3	Recoil Spring Plug
4	Recoil Spring(5.1 Ver.)
4-1	Recoil Spring(4.3 Ver.)
5	Rubber Washer
6	Inner Barrel(5.1 Ver.)
6-1	Inner Barrel(4.3 Ver.)

No	DESCRIPTION
7	Recoil Spring Guide(5.1 Ver.)
7-1	Recoil Spring Guide(4.3 Ver.)
8	Hop-Up Chamber
8-B	Hop Bucking
9	Air Nozzle
10	Screw
11	O Ring
12	Piston
13	Piston O Ring
14	Nozzle Spring
15	Screw
16	Air Nozzle base
17	Firing pin Spring

No	DESCRIPTION
18	Dummy Firing pin
19	Raer Sight
19-1	Raer Sight (Fixed Type)
19-F1	Front Sight
M14	Air Nozzle Set
20	Plate
21	Lower Receiver (5.1" ver.)
21-1	Lower Receiver (4.3" ver.)
21-2	Lower Receiver (Athletics ver.)
21-3	Lower Receiver (Baba Yaga ver.)
22	Slide Stop
23	Safety
24	Hammer base

No	DESCRIPTION
25	Screw
26	Pin
27	Spring
28	Pin
29	Hammer base cover
30	Sear Spring
31	Impact Pin
32	Hammer Guide
33	Hammer(5.1" Ver.)
33-1	Hammer(4.3" Ver.)
34	Grip Safety(5.1" Ver.)
34-1	Grip Safety(4.3" Ver.)
35	Screw

No	DESCRIPTION
36	Shear Spring
37	Shear
38	Grip(Athletics" Ver.)
38-1	Grip(5.1" & 4.3" Ver.)
38-2	Baba Yaga Grip
39	Screw
40	Magazine Catch
41	Main Spring Housing Pin
42	Sear Spring
43	Main Spring Housing(5.1 Ver.)
43-1	Main Spring Housing(4.3 Ver.)
43-2	Baba Yaga Main Spring Housing
44	Main Spring
45	Main Spring Screw
46	Trigger
47	Flash Hider
48	Screw
49	Magwell
A1	Magazine Lip
A2	Air Nozzle Rubber
A3	Magazine Bar
A4	Magazine Spring
A5	Magazine Base Stopper
A6	Magazine Frame
A7	O Ring
A8	Magazine Base
A9	Pin
A10	Valve
A11	Gas Valve
A12	O Ring
A13	Screw
A14	Magazine Bottom
A15	CO2 Magazine Frame
A16	CO2 Magazine Valve
A17	CO2 Cartridge Stab
A18	CO2 Cartridge Base Cover
A19	Screw
A20	CO2 Magazine Bottom
A21	Magazine Base Catch