



# KL-1911 SERIES PISTOL USER GUIDE

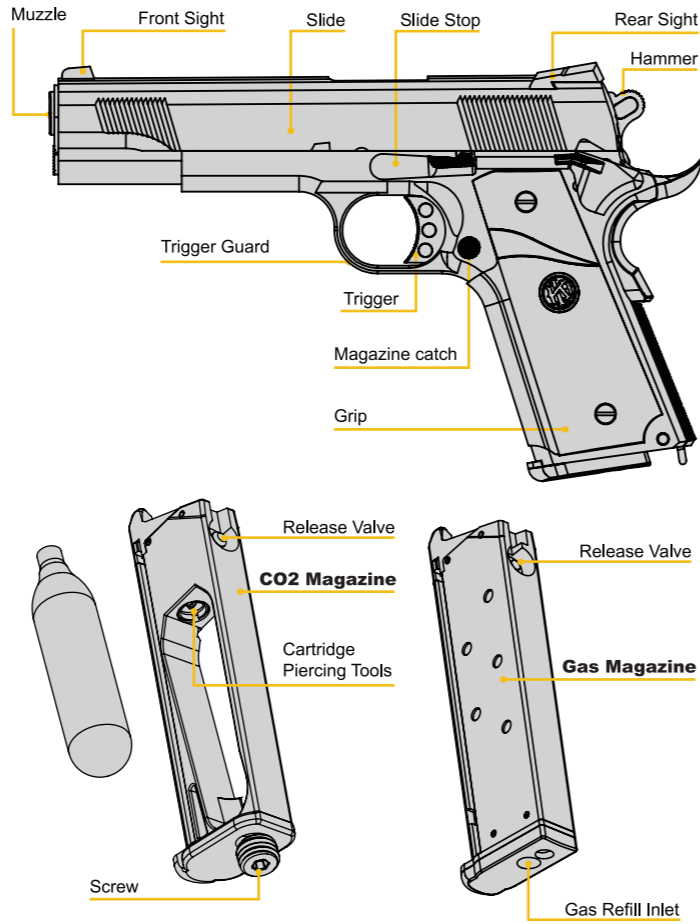
4.5MM / 6MM PISTOL  
GAS VERSION / CO2 VERSION



## WARNING

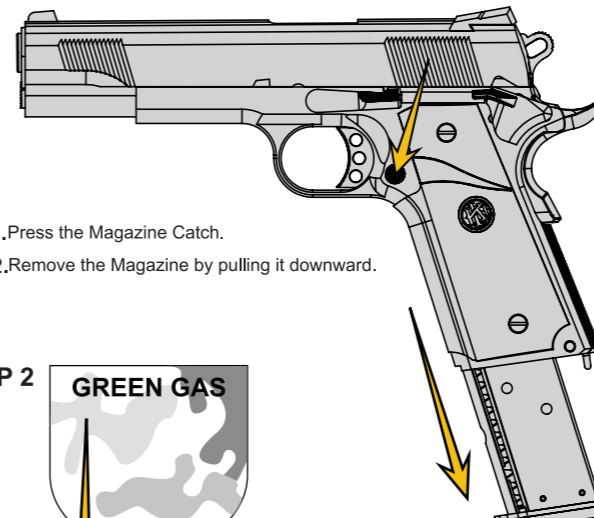
- ▲ When using airsoft guns eye protection is required.(goggles or mask)
- ▲ Never place your finger on the trigger until you are ready to fire the gun. Always put the gun in safe mode when not in use. Tread every gun as if it is loaded.
- ▲ Please keep away from children.
- ▲ BBs may remain in the barrel after magazine removal. To avoid injury, never look directly into the barrel and ensure the gun is always pointed in safe direction.
- ▲ Disassembly or modification of this product may result in damage to your Airsoft gun, loss of warranty, and/or serious injury.
- ▲ Please select a safe place to fire your airsoft gun. Always know your state and local laws concerning airsoft gun use.
- ▲ Do not aim or shoot at humans, animals, buildings, or vehicles.
- ▲ Please use a firearm case or bag when transporting your airsoft gun.

## KL-1911 PARTS DESCRIPTION

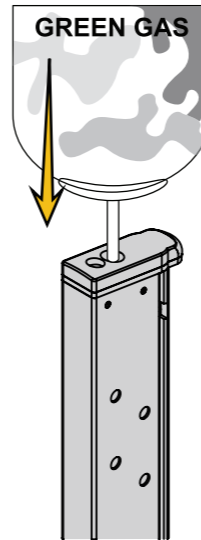


## GAS INJECTION

### STEP 1

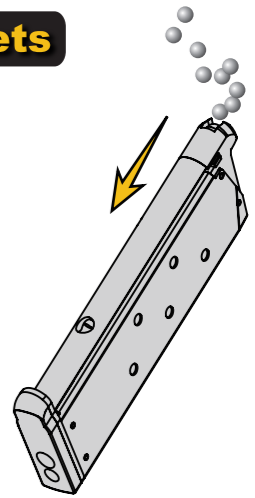


### STEP 2



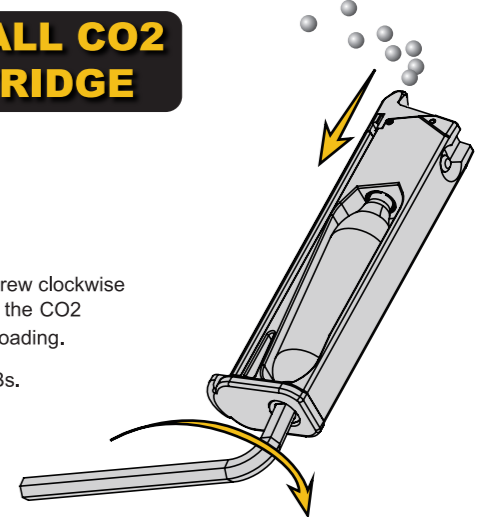
## Loading BB Bullets

Load BBs into the Magazine as show above.

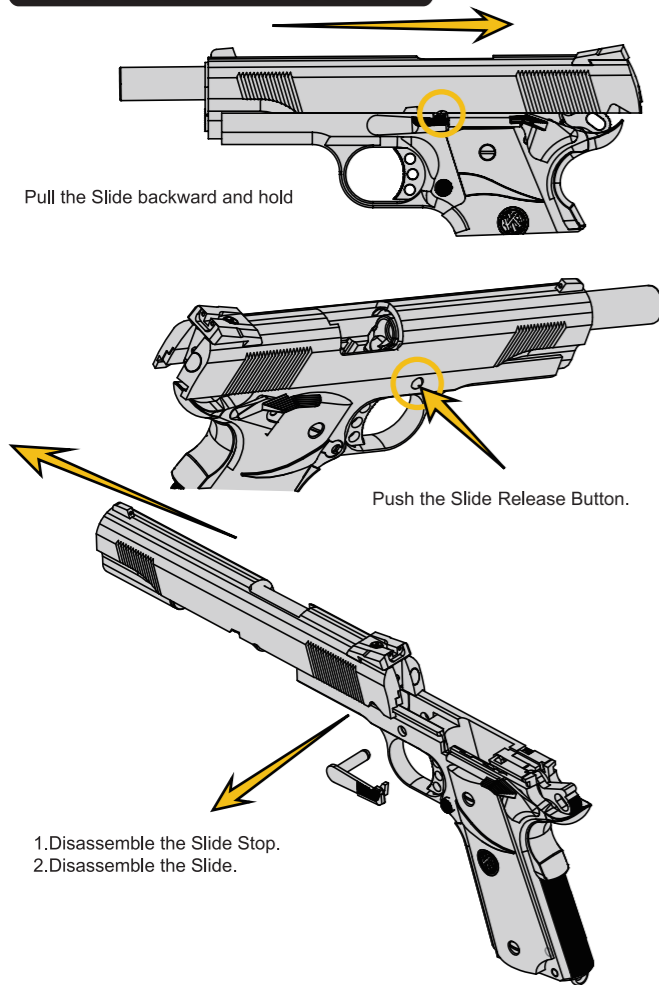


## INSTALL CO2 CARTRIDGE

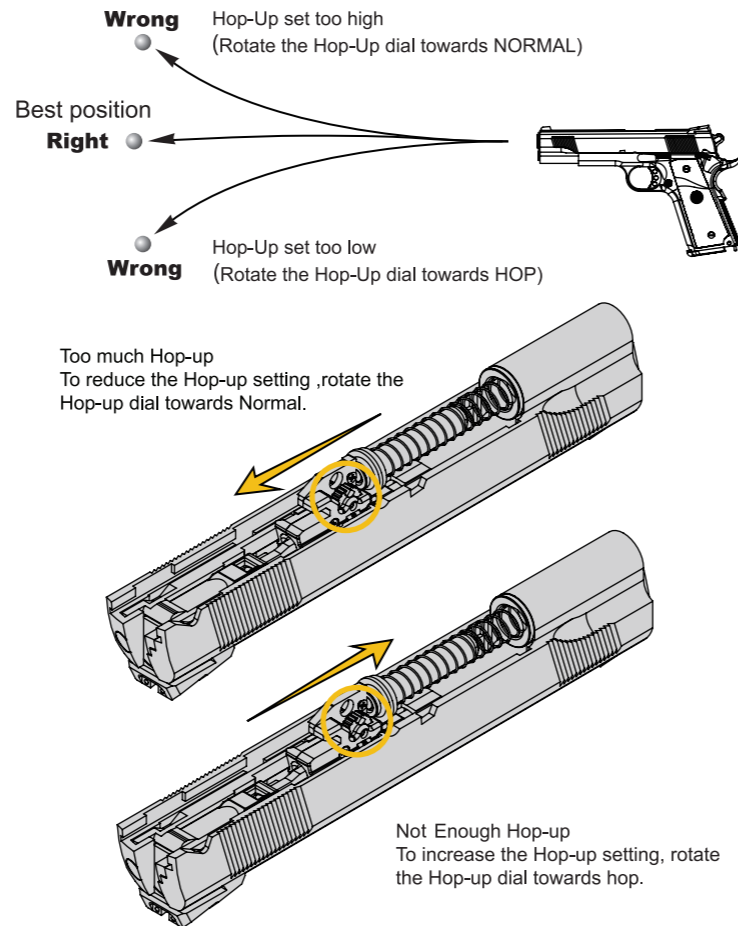
1. Turn the Screw clockwise to puncture the CO2 Cartridge Loading.
2. Loading BBs.



## DISAEMBLE SLIDE



## HOP-UP ADJUSTMENT (6mm)



## KL-1911 SCHEMATIC GAS / CO2 Ver.

NO	DESCRIPTION
1	Barrel Bearing
2	Slide
3	Recoil Spring plug
4-1	Outer Barrel(Longest Ver.)
4-2	Outer Barrel(Shorty Ver.)
5-1	Inner Barrel(Longest Ver.)
5-2	Inner Barrel(Shorty Ver.)
6	Hop Up Chamber
7	Hop Up Bucking
8	Recoil Spring
9	Recoil Spring Guide
10	Air Nozzle (Gas Ver.)
11	Air Nozzle base set
12	Screw & O Ring
13	Piston O Ring
14	Piston
15	Nozzle Spring
16	Air Nozzle base
17	Firing pin Spring
18	Dummy Firing pin
A1	Magazine Lip
A2	Air Nozzle Rubber
A3	Magazine Frame
A4	Valve (Gas Ver.)
A5	O Ring
A6	Magazine base
A7	Gas Valve
A8	Pin
A9	Magazine Spring
A10	Magazine Bar
A11	Pin
A12	Magazine Frame(CO2 Ver.)
A13	Valve (CO2 Ver.)
A14	Cartridge Stab (CO2 Ver.)
A15	Screw
19	Hammer base
20	Hammer Axle
21	Sear base
22	Sear Spring
23	Impact pin
24	Sear
25	Disconnecter
26	Shear Spring
27	Shear
28	Hammer set
29	Trigger
30	Magazine catch
31	Lower Receiver(Gas Ver.)
32	Hammer pin
33	Sear pin
34	Plunger base
35	Slide stop
36	Grip safety
37	Mainspring Housing pin
38	Plunger set
39	Safety
40	Grip set
41	Grip screw
42	Sear Spring
43	Mainspring screw
44	Mainspring
45	Mainspring Housing
46	Lanyard mount
47	Firing pin stop
48	Grip set (CO2 Ver.)
49	Grip screw (CO2 Ver.)
50	Lower Receiver(CO2 Ver.)
51	Air Nozzle (CO2 Ver.)
52	Piston (CO2 Ver.)

www.krownland.com.tw      sales@krownland.com.tw