



KL92 SERIES PISTOL USER GUIDE

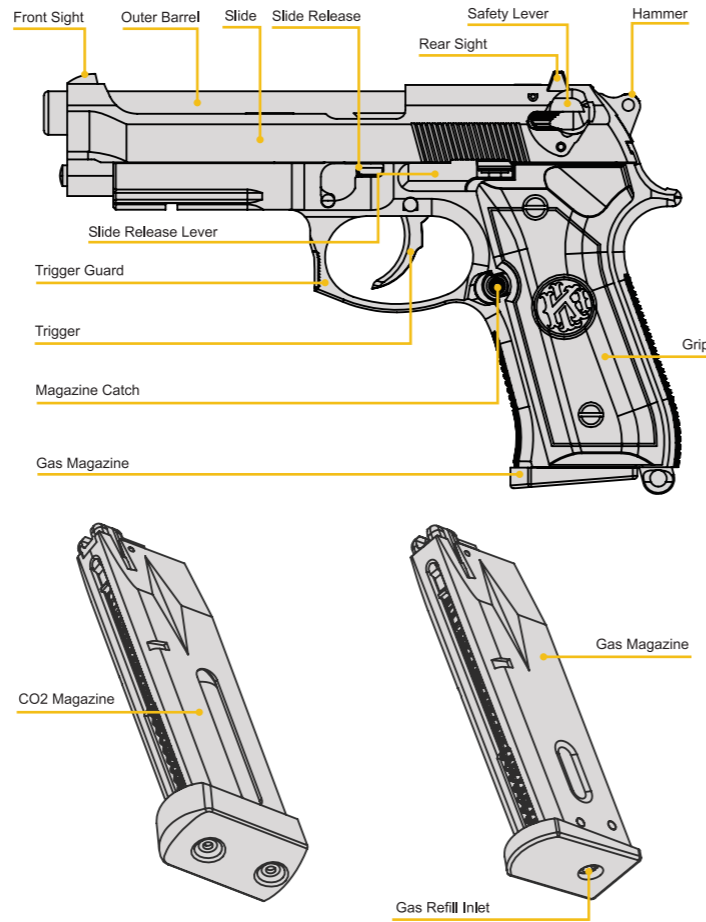
4.5MM (CO2)
6MM (GAS/CO2) DUAL POWER



WARNING

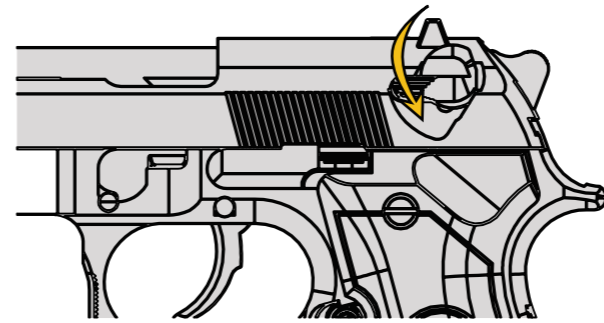
- ▲ When using airsoft guns eye protection is required.(goggles or mask)
- ▲ Never place your finger on the trigger until you are ready to fire the gun. Always put the gun in safe mode when not in use. Treat every gun as if it is loaded.
- ▲ Please keep away from children.
- ▲ BBs may remain in the barrel after magazine removal. To avoid injury, never look directly into the barrel and ensure the gun is always pointed in safe direction.
- ▲ Disassembly or modification of this product may result in damage to your Airsoft gun, loss of warranty, and/or serious injury.
- ▲ Please select a safe place to fire your airsoft gun. Always know your state and local laws concerning airsoft gun use.
- ▲ Do not aim or shoot at humans, animals, buildings, or vehicles.
- ▲ Please use a firearm case or bag when transporting your airsoft gun.

KL92 PARTS DESCRIPTION

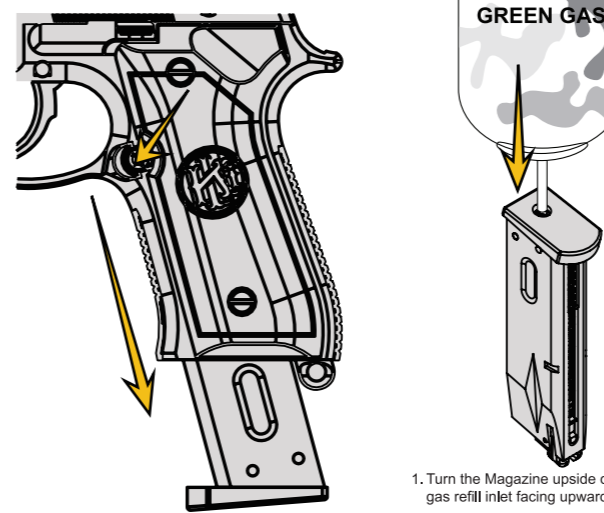


GAS INJECTION

Safety and Magazine Removal

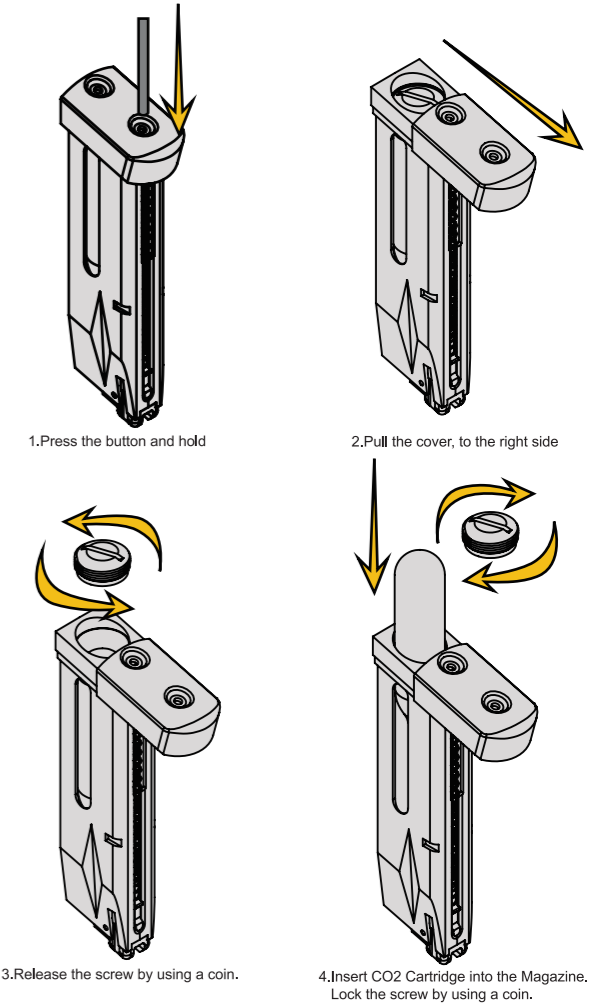


Turn the Safety Lever Selector to safe mode

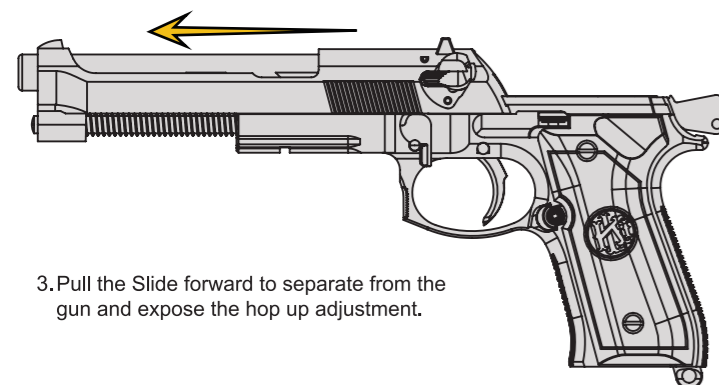
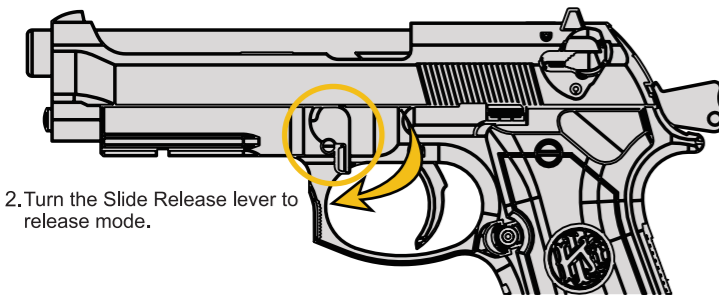
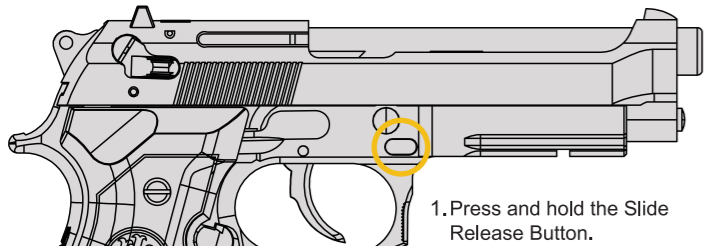


1. Press the Magazine Catch.
2. Remove the Magazine.
1. Turn the Magazine upside down with gas refill inlet facing upwards.
2. Keeping the gas cylinder inverted and vertical to the Magazine, inject gas until completely filled.

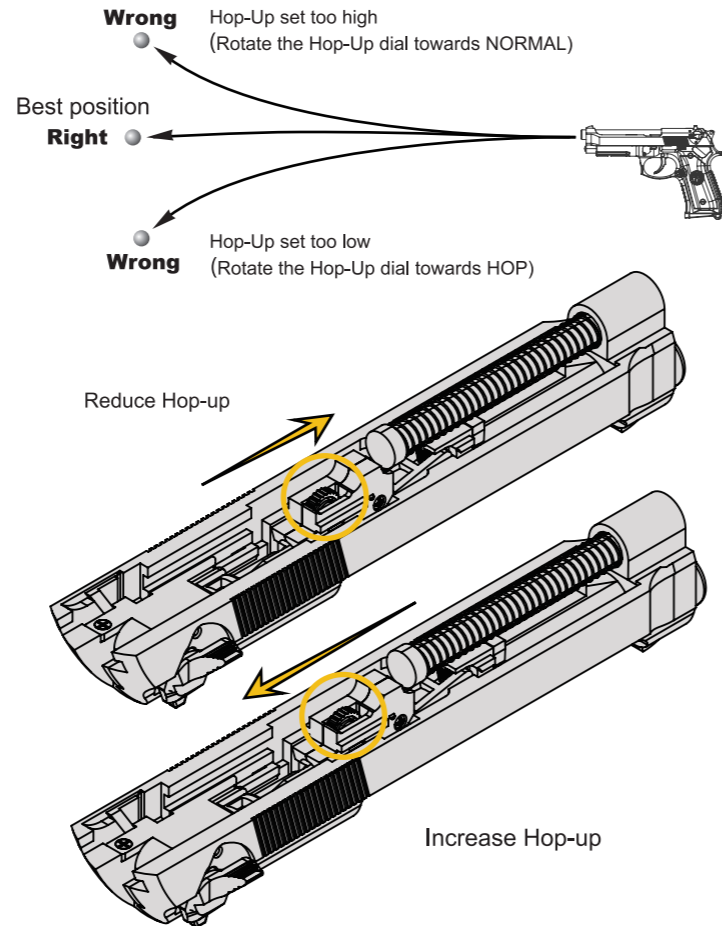
INSTALL CO2 CARTRIDGE



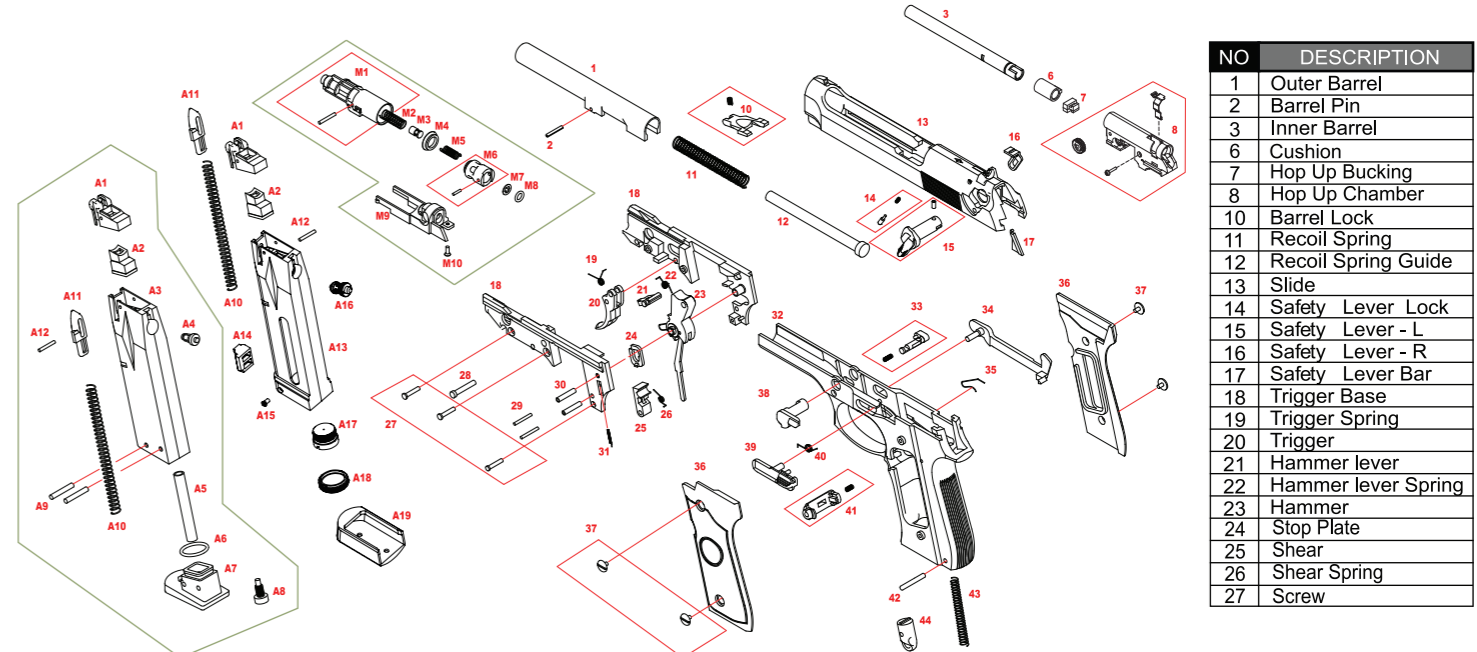
DISAEMBLE SLIDE



HOP-UP ADJUSTMENT (6mm)



KL92 SCHEMATIC (DUAL POWER SYSTEM)



| NO | DESCRIPTION |
|----|---------------------|
| 1 | Outer Barrel |
| 2 | Barrel Pin |
| 3 | Inner Barrel |
| 6 | Cushion |
| 7 | Hop Up Bucking |
| 8 | Hop Up Chamber |
| 10 | Barrel Lock |
| 11 | Recoil Spring |
| 12 | Recoil Spring Guide |
| 13 | Slide |
| 14 | Safety Lever Lock |
| 15 | Safety Lever - L |
| 16 | Safety Lever - R |
| 17 | Safety Lever Bar |
| 18 | Trigger Base |
| 19 | Trigger Spring |
| 20 | Trigger |
| 21 | Hammer lever |
| 22 | Hammer lever Spring |
| 23 | Hammer |
| 24 | Stop Plate |
| 25 | Shear |
| 26 | Shear Spring |
| 27 | Screw |

| NO | DESCRIPTION | NO | DESCRIPTION | NO | DESCRIPTION | NO | DESCRIPTION | NO | DESCRIPTION |
|----|----------------------|----|-------------------------|---------|-------------------|----------|-------------------|-----|------------------------|
| 28 | Trigger Pin | 37 | Grip Screw | M1 | Air Nozzle | A1 | Magazine Lip | A10 | Magazine Spring |
| 29 | Pin | 38 | Slide Release lever | M2 | Air Valve Spring | A2 | Air Nozzle Rubber | A11 | Magazine Bar |
| 30 | Brass Tube | 39 | Slide Stop | M3 | Air Valve | A3 | Magazine Frame | A13 | CO2 Magazine Frame |
| 31 | Stop Plate Spring | 40 | Slide Stop Spring | M4 | Piston Ring | A4 | Valve | A14 | Magazine Frame Stopper |
| 32 | Frame | 41 | Magazine Release Button | M5 | Air Nozzle Spring | A5 | Nebulization Tube | A15 | Screw |
| 33 | Slide Release Button | 42 | Pin | M6 | Piston | A6 | O Ring | A16 | CO2 Magazine Valve |
| 34 | Trigger | 43 | Hammer Spring | M7 / M8 | CS / O Ring | A7 | Gas Magazine Base | A17 | Cartridge Stab |
| 35 | Trigger Link | 44 | Hammer Spring Cover | M9 | Cylinder Base | A8 | Gas Valve | A18 | Cartridge Base Cover |
| 36 | Grip | | | M10 | Screw | A9 / A12 | Pin | A19 | Magazine Bottom |