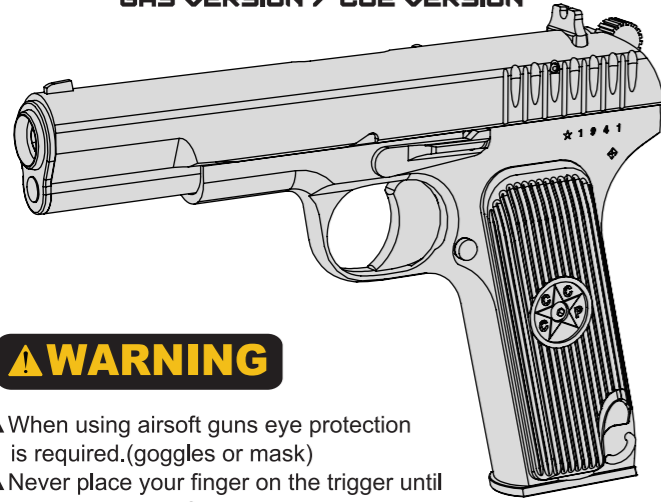




KL-33 SERIES PISTOL USER GUIDE

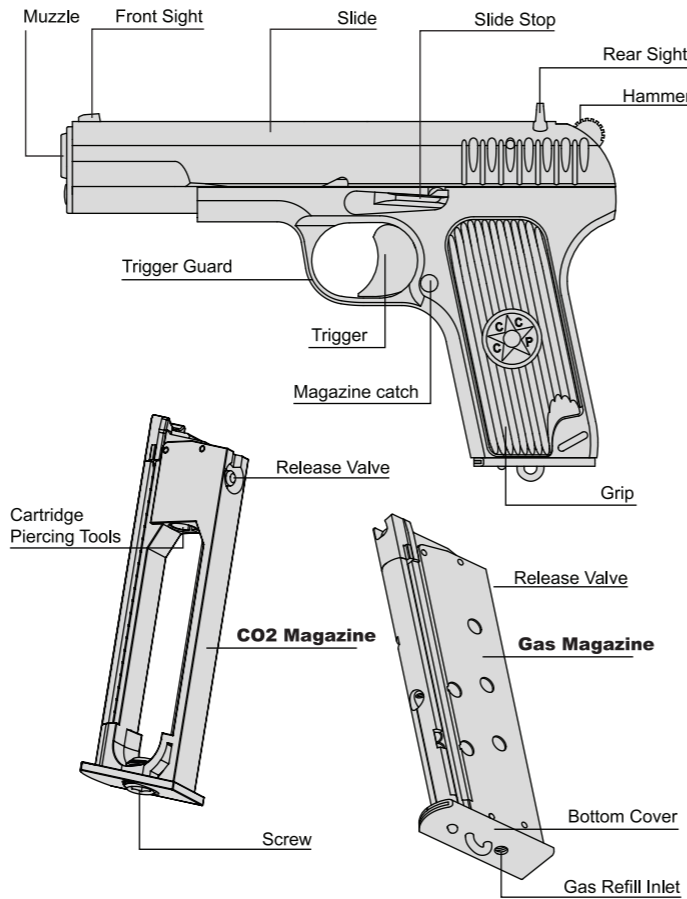
4.5MM / 6MM PISTOL
GAS VERSION / CO2 VERSION



WARNING

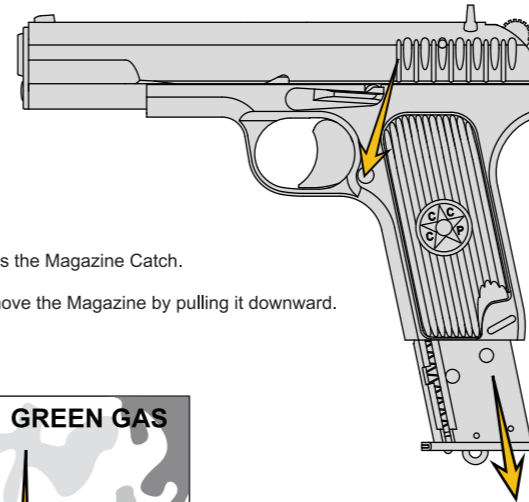
- ▲ When using airsoft guns eye protection is required.(goggles or mask)
- ▲ Never place your finger on the trigger until you are ready to fire the gun. Always put the gun in safe mode when not in use. Tread every gun as if it is loaded.
- ▲ Please keep away from children.
- ▲ BBs may remain in the barrel after magazine removal. To avoid injury, never look directly into the barrel and ensure the gun is always pointed in safe direction.
- ▲ Disassembly or modification of this product may result in damage to your Airsoft gun, loss of warranty, and/or serious injury.
- ▲ Please select a safe place to fire your airsoft gun. Always know your state and local laws concerning airsoft gun use.
- ▲ Do not aim or shoot at humans, animals, buildings, or vehicles.
- ▲ Please use a firearm case or bag when transporting your airsoft gun.

KL33 PARTS DESCRIPTION



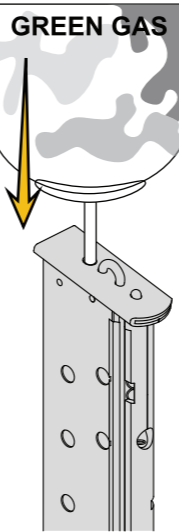
GAS INJECTION

STEP 1



1. Press the Magazine Catch.
2. Remove the Magazine by pulling it downward.

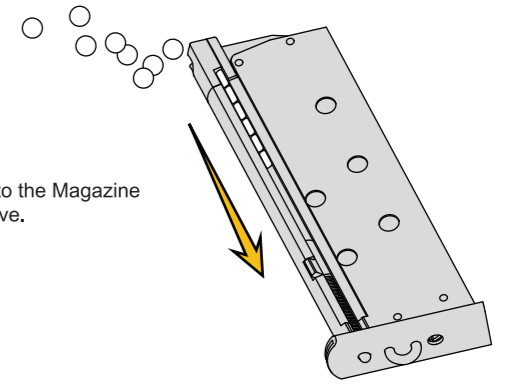
STEP 2



1. Turn the Magazine upside down with gas refill inlet facing upwards.
2. Keeping the gas cylinder inverted and vertical to the Magazine, inject gas until completely filled.

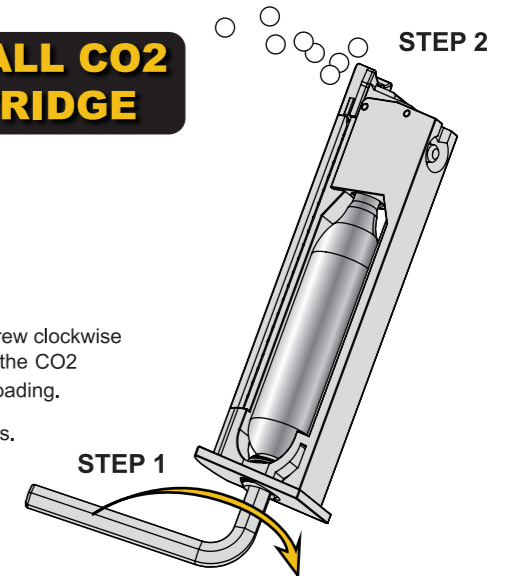
Loading BB Bullets

Load BBs into the Magazine as show above.

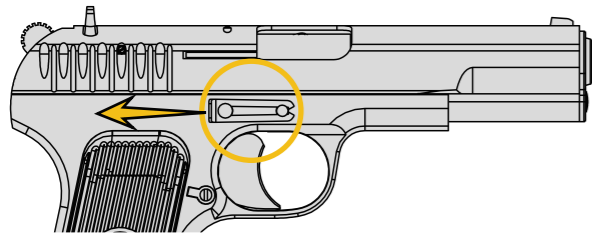


INSTALL CO2 CARTRIDGE

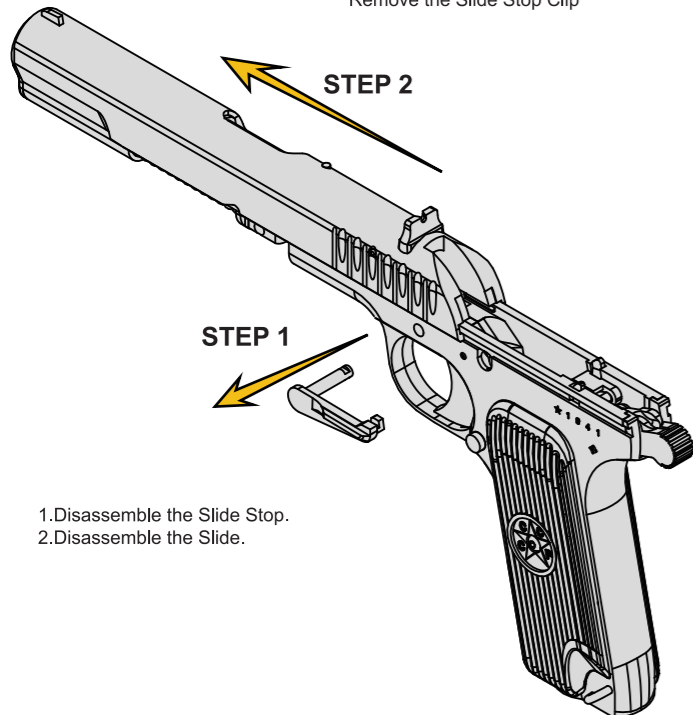
1. Turn the Screw clockwise to puncture the CO2 Cartridge Loading.
2. Loading BBs.



DISAEMBLE SLIDE

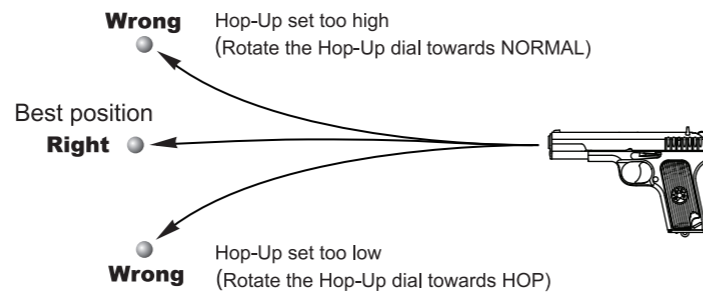


Remove the Slide Stop Clip

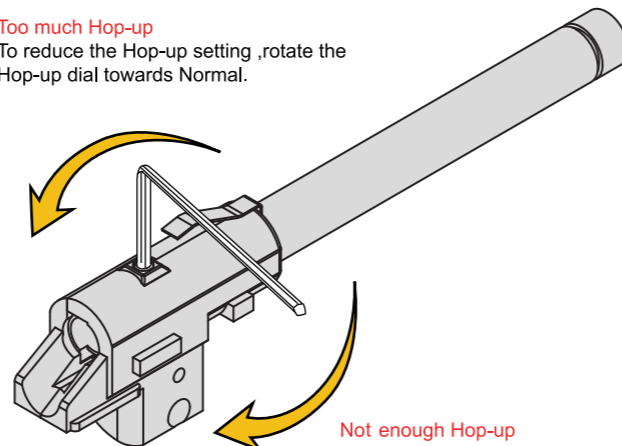


1. Disassemble the Slide Stop.
2. Disassemble the Slide.

HOP-UP ADJUSTMENT (6mm)

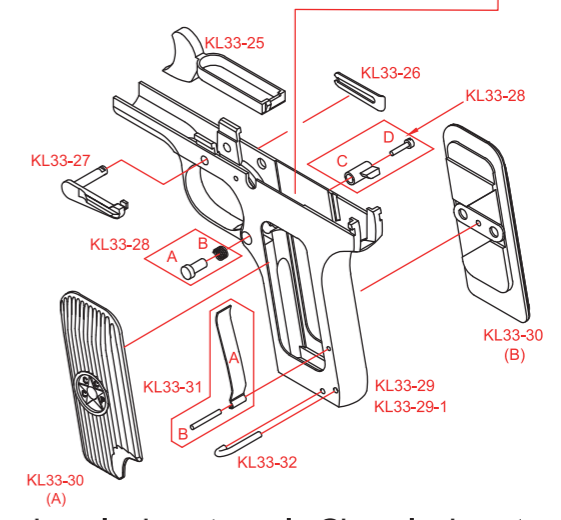
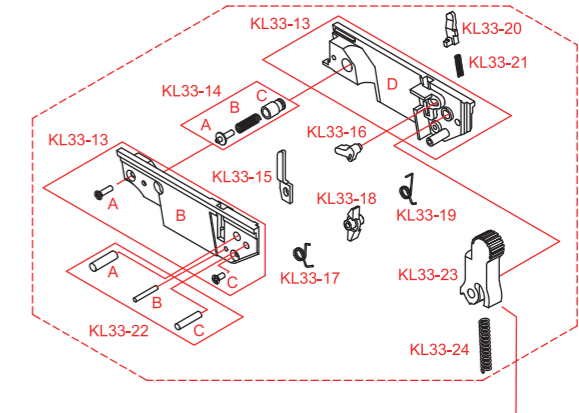
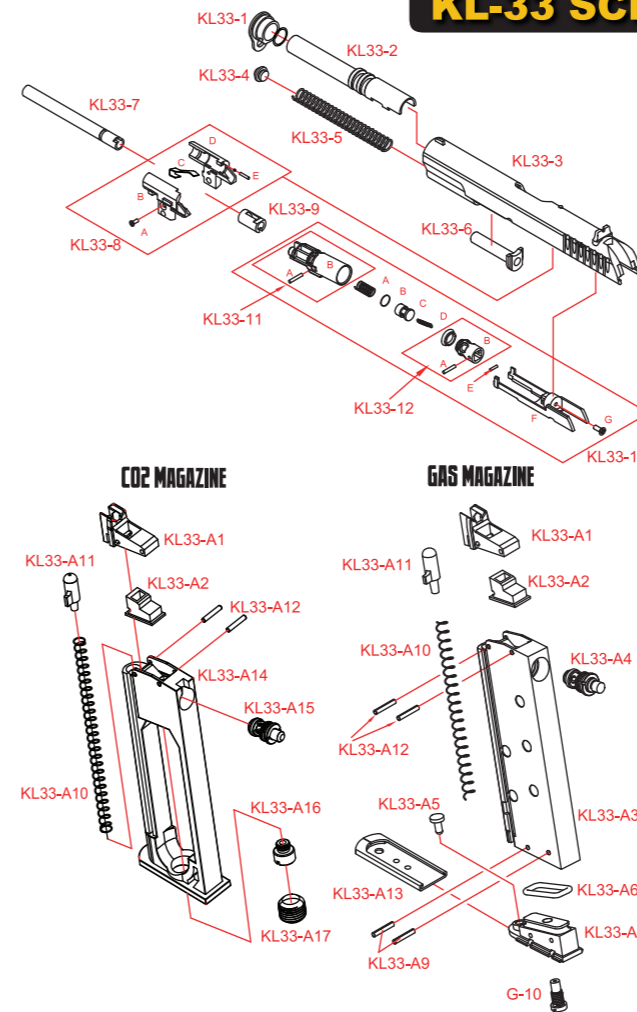


Too much Hop-up
To reduce the Hop-up setting ,rotate the Hop-up dial towards Normal.



Not enough Hop-up
To increase the Hop-up setting ,rotate the Hop-up dial towards Hop.

KL-33 SCHEMATIC GAS / CO2 Ver.



NO.	DESCRIPTION
KL33-1	Barrel Cap
KL33-2	Outer Barrel
KL33-3	Slide
KL33-4	Recoil Spring Plug
KL33-5	Recoil Spring
KL33-6	Recoil Spring Guide
KL33-7	Inner Barrel
KL33-8	Hop Up Chamber
KL33-9	Hop Up Bucking
KL33-10	Air Nozzle Base set
KL33-11	Air Nozzle
KL33-12	Piston
KL33-A1	Magazine Lip
KL33-A2	Air Nozzle Rubber
KL33-A3	Magazine Frame
KL33-A4	Gas Valve
KL33-A5	Magazine Spring Base
KL33-A6	O-ring
KL33-A7	Gas Magazine Base
KL33-A9	Pin
KL33-A10	Magazine Spring
KL33-A11	Magazine Bar
KL33-A12	Pin
KL33-A13	Magazine Plate
G-10	Gas Valve
KL33-A14	CO2 Magazine Base
KL33-A15	CO2 Magazine Valve
KL33-A16	Cartridge Stab
KL33-A17	Cartridge Base Cover
KL33-13	Trigger Base
KL33-14	Trigger Base Catch set
KL33-15	Disconnecter
KL33-16	Impact pin
KL33-17	Sear Spring
KL33-18	Sear
KL33-19	Impact pin Spring
KL33-20	Shear
KL33-21	Shear Spring
KL33-22	Pin
KL33-23	Hammer
KL33-24	Hammer Spring
KL33-25	Trigger
KL33-26	Slide Stop Clip
KL33-27	Slide Stop
KL33-28	Magazine Catch set
KL33-29	Lower Frame(Gas Ver.)
KL33-29-1	Lower Frame(CO2 Ver.)
KL33-30	Grip
KL33-31	Trigger Spring
KL33-32	Lanyard mount